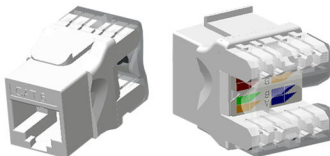


CAT5E Unscreened Twisted Pair Keystone Jack



FEATURES

- Choice of Colours
- Small & Exquisite Form, Provides more manipulative space
- Skilled designed on both Jack & PCB, provides reliable performance margin even in 10G application
- Ergonomics also considered during design, making termination experience easy
- Mounts in either panel or shutter
- IDC Punchdown Termination, both 110 & LSA Tools compatible

DIAGRAM & DESCRIPTION

As an alternative to the one piece shuttered OPTiLite module range we offer the OPTiLite Keystone Jack. Suitable for mounting in a range of faceplates, shutters and a 1U 24 port frame, these jacks are quick and easy to install.

Each OPTiLite Plus Keystone Jack is manufactured and tested to the ANSI/TIA/EIA 568-B.2.1, ISO/IEC 11801 Second Edition and EN 50173-1:2007 Category 6 Specifications.

Termination can be made using 110 & LSA compatible tooling. Each jack is available with a 180° termination design, wiring diagram and conductor protection cap and can be supplied in black or white variants.

TECHNICAL SPECIFICATIONS

Mechanical	Value
Housing Material	PC UL94V-0
IDC Material	Phosphor Bronze Stamp Pin 0.50mm
Contact Material	Phosphor Bronze + Gold Plating 0.50mm
RJ45 Jack Life	Min 750 Insertions
IDC Life	Min 250 Terminations

APPLICATIONS

- 155 Mbps ATM, 100BASE-TX, VoIP
- Ethernet, VoIP, IP-Camera, and the Voice/Data connection point in the Work Area Subsystem/Administration Subsystem/Equipment Room Subsystem of Cabling Systems

TYPICAL APPLICATIONS

- 10Base-T Ethernet
- 100BASE-TX Fast Ethernet
- 1000BASE-T Gigabit Ethernet
- 155 Mbps ATM
- 622 Mbps ATM
- Token Ring

Construction

Specification

Category 6 • 2nd Edition ISO/IEC 11801 • EN 50173-1:2007 • ANSI/TIA/EIA-568-B.2-1

Wiring Specification

T568A & T568B

Dimensions

16.8mm wide x 19.6mm high x 31.6mm deep

Installation Recommendation

Suits outlet frames with 14.60 x 16.10mm jack opening/19.20mm spring latch height-keystone

RJ45 Jack

Min life 750 insertions

RJ45 Jack

50 µin (microinch) Gold plate over 100 µin (microinch) Nickel undercoat contact pins

NEXT at 250MHz

Category 6 39.50dB @250MHz (Power Sum)

FEXT at 250MHz

Category 6 26.20dB @250MHz (Power Sum)

Storage Temperature Range

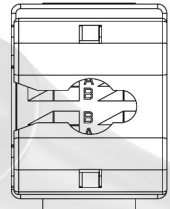
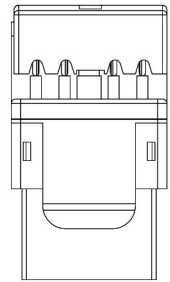
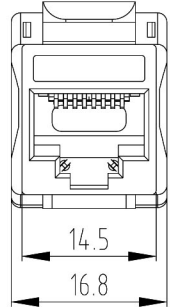
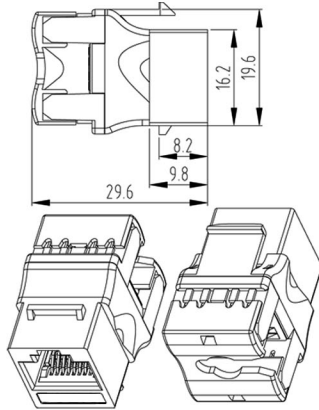
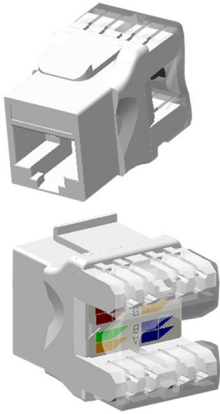
-40 to +68 °C

Operational Temperature Range

-20 to +60 °C

Jack housing

ABS High-Impact UL94V-0 Thermoplastic



MECHANICAL

- Plug Insertion Life ≥ 750 Cycles WITH FCC COMPLIANT RJ-45 PLUG
- Plug & Jack Contact Force ≥ 100 Grams WITH FCC COMPLIANT RJ-45 PLUG
- Plug Retention Force: ≥ 11 lbf
- DURABILITY : 200 TERMINATION CYCLES
- OPERATING TEMPERATURE : $-10^{\circ}\sim 60^{\circ}\text{C}$
- OPERATING HUMIDITY : $10\%\sim 90\%\text{RH}$
- STORAGE TEMPERATURE : -40°C TO 68°C

PHYSICALS

- Plastic Parts: High impact flame retardant plastic, UL 94V-0 rated
- PCB: FR-4, 1.2mm Thickness
- Jack Wire: 0.35 mm Phosphor bronze gold over nickel plating
- IDC CONDUCTOR: 0.5mm Phosphor bronze, tin-plating
- CONTACT COMPATIBILITY: ACCOMMODATES 26 TO 23AWG SOLID

ELECTRICAL

- Current Rating: 1.5 Amps
- Insulation Resistance: ≥ 500 M Ω
- Contact Resistance: ≤ 10 m Ω
- DC Resistance: ≤ 0.1 Ω
- DC/AC Volt Endurance: DC1000V/AC750V 1min

CONFORMANCE

- Category 6A
- ISO/IEC 11801 : 2002
- ANSI/EIA/TIA 568B.2 : 2002
- This product conforms to the materials requirements of RoHS2

TRANSMISSION PERFORMANCE												
Frequency (MHz)	NEXT (dB)		FEXT (dB)		RL (dB)		Insertion Loss (dB)		Prop. Delay (ns)		Delay Skew (ns)	
	Limit (min)	Typical	Limit (min)	Typical	Limit (min)	Typical	Limit (max)	Typical	Limit (max)	Typical	Limit (max)	Typical
1.0	75.0	95.6	75.0	91.0	30.0	47.1	0.1	0.0	2.5	2.5	1.25	1.25
4.0	75.0	84.1	71.1	79.2	30.0	45.8	0.1	0.0				
8.0	75.0	78.6	65.0	73.6	30.0	44.8	0.1	0.1				
10.0	74.0	76.3	63.1	71.6	30.0	44.0	0.1	0.1				
16.0	69.9	72.2	59.0	67.6	30.0	42.0	0.1	0.1				
20.0	68.0	70.1	57.1	65.7	30.0	40.3	0.1	0.1				
25.0	66.0	68.3	55.1	63.9	30.0	38.3	0.1	0.1				
31.25	64.1	66.3	53.2	62.0	30.0	36.4	0.1	0.1				
62.5	58.1	60.1	47.2	55.7	28.1	29.8	0.2	0.1				
100	54.0	55.8	43.1	52.0	24.0	26.0	0.2	0.2				
200	48.0	50.6	37.1	45.7	18.0	19.9	0.3	0.2				
250	46.0	47.9	35.1	43.6	16.0	18.0	0.3	0.3				

System Warranty:

The OPTiLite Cabling System Warranty provides a 25-year product and applications assurance of compliance with the industry performance standard appropriate to the class of cabling installed. The warranty may be applied for by an accredited OPTiLite Partner who has designed, supplied and installed the said system.

