

The Multiple Protection



FEATURES

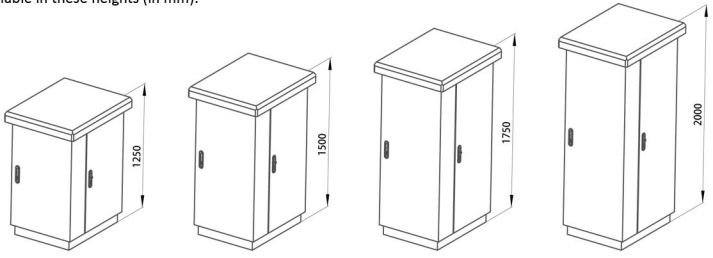
- Three-door design for maximum function varieties
- Side compartment for fiber, MDF/VDF modules or embedded climate control equipment
- Fans can be added on the top cover for extra ventilation

OVERVIEW

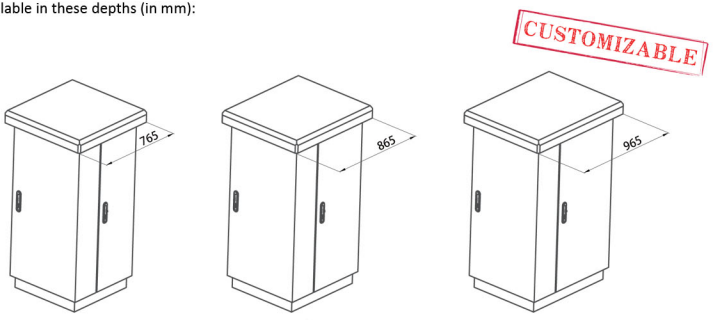
No matter what your application, OPTIFab has the resources and experience to understand the requirement and to design and build a product to meet the most stringent standards. Over 20 years of experience in delivering customized one-stop solutions: Product Modification, Completely New Product, Indoor & Outdoor, Climate Controlled, Cabinets & Enclosures & Shelters, and Accessories

CONSTRUCTION

Available in these heights (in mm):



Available in these depths (in mm):



OTHER OPTIONS

Power. 110-240V	Laptop Tray	Door Alarm	Optical Splitter
Power Supply (Breaker, Rectifier, Monitor)	L Rail Set	Water Alarm	Splice Tray
Ground bar kit. 10-position	Interior Light	Smoke Alarm	Distribution Module
19" or 23" Mounting Panel	Heater	Dynamic Environment Monitoring Systems	19" or 23" Relay Racks
PDU	Fan	Generator Plug & Interlock	Mounting Base
Battery: AGM VRLA Batteries	Air Conditioner	Door Latch Tool	
Battery Storage	Heat Exchanger	Solar shield roof	