

FTTH Micro Duct Straight Closure



Description

The inline closure configured for use as a 1 in – 1 out straight in-line closure for diameters of 7mm and 5mm protected micro duct jointing applications.

Parts List

Main

- 1x Input Shell and 1xOutput shell with locking screws and nuts
- 1x Wedge Clamps with one wedge closing cap screws

CL01 Blanking Plug

Blanking plug designed for the ports to seal unused ports against water ingress.

- Product Code 16101: All the above parts
- Product Code 16102: All the above parts.
- Product Code 16102: All the above parts.
- Products Code 16104: All the above parts.

Clamping

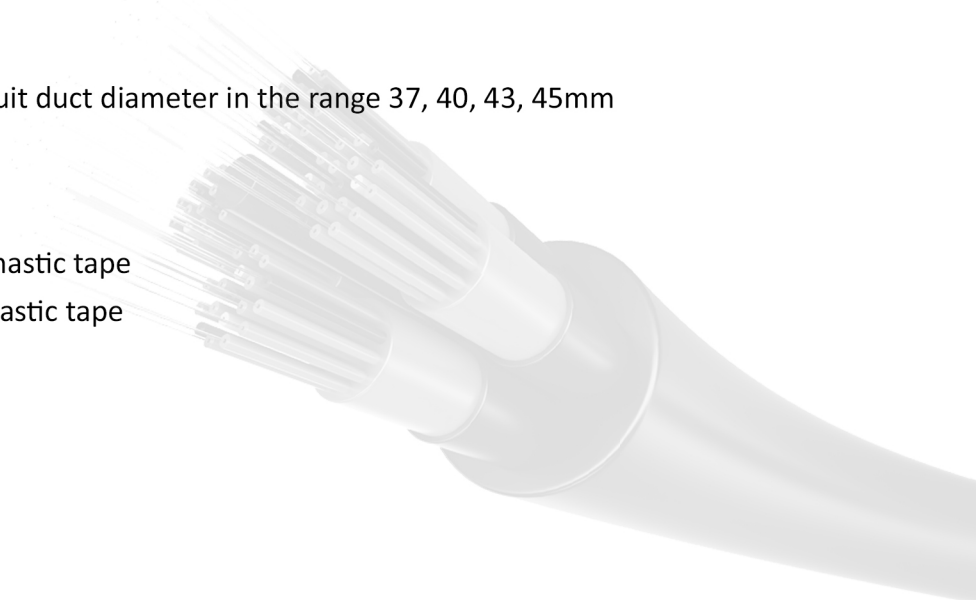
2 x Plastic Hose Clips to suit duct diameter in the range 37, 40, 43, 45mm

Seals

- 2 x Rubber port seals
- 2 rolls of edge sealing mastic tape
- 2 rolls of port sealing mastic tape

Tools

Hexagonal key





Description

The inline closure configured for use as a 2 in – 2 out straight in-line closure for diameters of 7mm and 5mm protected micro duct jointing applications.

Application

Direct buried closure for use in a FTTH solution.

Parts List

Main

- 1 x Input Shell and 1xOutput shell with locking screws and nuts
- 1x Wedge Clamps with one wedge closing cap screws

CL01 Blanking Plug

Blanking plug designed for the CL02 ports to seal unused ports against water ingress.

- Product Code 16201: All the above parts
- Product Code 16202: All the above parts.
- Product Code 16203: All the above parts.
- Products Code 16204: All the above parts.

Clamping

2 x Plastic Hose Clips to suit duct diameter in the range 29, 40, 43, 45mm

Seals

- 2 x Rubber port seals
- 2 rolls of edge sealing mastic tape
- 2 rolls of port sealing mastic tape

Tools

Hexagonal key

Specification

Materials

- Plastic Parts: PP, black
- Screws & Clips Stainless Steel
- Clamping Plate Powder coated mild steel

Performance

- Temperature Range -40°C to +60°C
- Water Tightness Classification: IP68
- Minimum Pullout Strength: 450N

Dimensions

- Outside: 450x200x110 mm nominal
- Inside: 340x160x100 mm nominal